



# PARTS MANUAL

**AERIAL WORK PLATFORM**  
AMWP6-1000 / AMWP7.5-1000



## Foreword

We are very appreciated for your interesting with Dingli® machine and choosing it for your application. Our priority above all is you can use the machine safely for your application and you can benefit from the Dingli® machine mostly. For these reason we hope you can:

1. Comply with employer, job site and local governmental rules.
2. The manual provides very important information about the machine. It is essential to the owner or the operator who use the machine. So we strongly recommend that you should read the manual thoroughly before attempting to do anything with the machine, so as to understand and follow the instruction or other information in the manual, especially the safety information.
3. Dingli cannot anticipate every possible circumstance that might involve a potential hazard. The warnings in this publication and on the product are, therefore, not all inclusive. If a tool, procedure, work method or operating technique that is not specifically recommended by Dingli is used, you must satisfy yourself that it is safe for you and for others. You should also ensure that the product will not be damaged or be made unsafe by the operation, lubrication, maintenance or repair procedure that you choose.
4. The information, specifications, and illustrations in this publication are on the basis of information that was available at the time that the publication was written. Due to the continuous improvements, Dingli reserve the rights to make the specifications changes without prior notification. Please contact with Dingli dealers or Dingli distributors to obtain the complete and most current information.
5. Any one who read the manual or used the machine, is encouraged to notify Dingli Machinery Co, Ltd of any errors or send in suggestions for improvement. All communications will be carefully considered for future printings of this and other manuals, certainly if you have any question about the machine, please contact with our team by dialing technical support phone, sending email, or any methods you want, etc. Our contact information as bellow:

---

### *Contact us*

---

**Manufacturer's address**

ZheJiang Dingli Machinery Co.,Ltd.  
1255 Baiyun South Road,Leidian Town,  
Deqing, Zhejiang, China

**Importer**

Enebakkveien 441 B  
1290 OSLO, Norway

Tel: 23 19 11 00

Fax: 23 19 11 01

E-mail: [post@instant.no](mailto:post@instant.no)

Web: [www.instant.no](http://www.instant.no)  
[www.dingli.eu](http://www.dingli.eu)

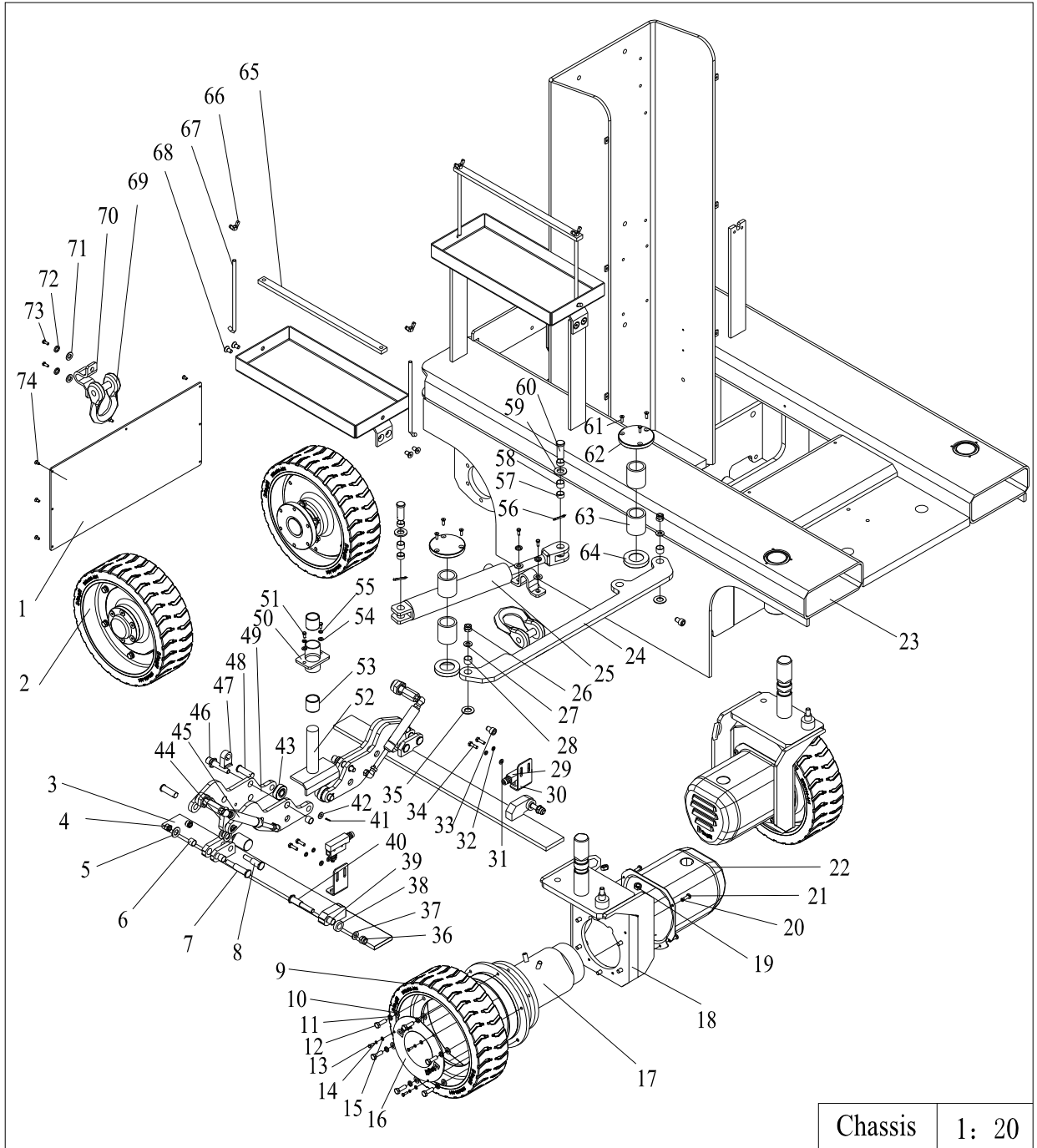
## Revision Log

Original Issue of Manual ..... April 2011

## Contents

<b>Section 1 Chassis.....</b>	<b>0</b>
<b>Section 2 Cover Installation.....</b>	<b>4</b>
<b>Section 3 Mast And Battery Box Installation.....</b>	<b>6</b>
<b>Section 4 Pump/Motor/Ground Control/Horn Installations.....</b>	<b>8</b>
<b>Section 5 Mast.....</b>	<b>11</b>
<b>Section 6 Platform With Gullwing Gate.....</b>	<b>15</b>
1. General Platform.....	15
2. Extend Platform .....	17
<b>Section 7 Cylinder Assembly .....</b>	<b>19</b>
<b>Section 8 Hydraulic Diagram.....</b>	<b>21</b>

# Section 1 Chassis



## Spareparts For Chassis

No.	Part Number	Description	Quantity	Remark
1	AMWP116-100012	Cover	1	
2	AMWP116-10020	Rear Wheel	2	
3	AMWP116-120014	Support Frame	2	
4	GB/T6182-2000	Nut M10	2	
5	WC14	Washer	6	
6	SF-1416-10	Bearing 1416-10	4	
7	AMWP116-120014	Pin	2	
8	AMWP116-120016	Pin	2	
9	JCPT0807-112010	Wheel	2	
10	GB/T97.1-2002	Washer 8	12	
11	GB/T93-87	Spring Washer 8	12	
12	GB/T5783-2000	Bolt M8×25	12	
13	GB/T5783-2000	Bolt M4×12	6	
14	GB/T93-87	Spring Washer 4	6	
15	GB/T97.1-2002	Washer 4	6	
16	JCPT0807-112006	Cover	2	
17	JCPT0807-112400	Drive Motor	2	
18	JCPT0807-112100	Rotor Seat	2	
19	GB/T6170-2000	Nut M10	8	
20	GB/T93-87	Spring Washer 6	8	
21	GB/T818-2000	Screw M6×12	8	
22	JCPT0807-112005	Cover	2	
23	AMWP116-110000	Chassis	1	
24	JCPT0807-112001	Steering Plate	1	
25	JCPT0807-112300	Steering Cylinder	1	

## Spareparts For Chassis

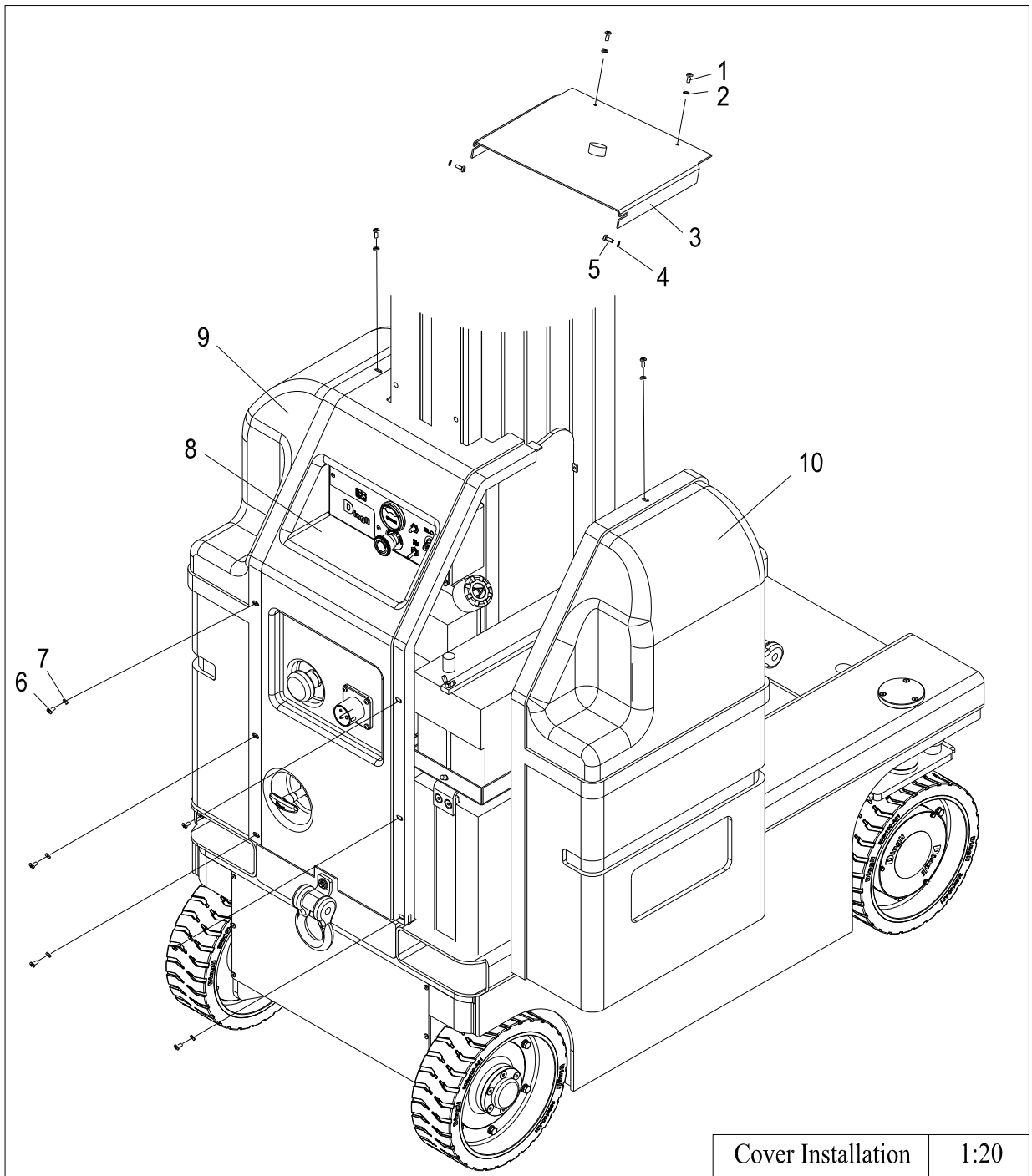
No.	Part Number	Description	Quantity	Remark
26	GB/T6182-2000	Nut M10	2	
27	GB/T97.1-2002	Washer 10	2	
28	SF-12-1618	Bearing	4	
29	Z-15GQ55-B	Minitype Switch	2	
30	AMWP116-100013a	Seat	2	
31	GB/T97.1-2002	Washer 6	4	
32	GB/T93-87	Spring Washer 6	4	
33	JCPT0807-112004	Screw	2	
34	GB/T5783-2000	Bolt M6×20	4	
35	WC16SF	Bearing	2	
36	GB/T6182-2000	Nut M10	2	
37	GB/T97.1-2002	Washer 10	4	
38	AMWP116-120023	Thick Washer	2	
39	SF-1416-10	Bearing	2	
40	AMWP116-120021	Pin	2	
41	GB/T 91-2000	Pin 2.5×16	4	
42	GB/T97.1-2002	Washer 8	4	
43	AMWP116-120013	Idler Wheel	2	
44	AMWP116-120019	Link	2	
45	JB/T8064.1-1996	Cylinder YQ10/22-85-247(O-O)200	2	
46	AMWP116-120024	Pin	2	
47	AMWP116-120020	Link Nut	2	
48	AMWP116-120015	Pin	4	
49	AMWP116-120401	Arm	4	
50	AMWP116-120200	Press Pole Seat	1	

## Spareparts For Chassis

No.	Part Number	Description	Quantity	Remark
51	GB/T5783-2000	Bolt M5×10	2	
52	AMWP116-120300	Press Pole	1	
53	SF-2832-30	Bearing	2	
54	GB/T97.1-2002	Washer 5	2	
55	GB/T93-87	Spring Washer 5	2	
56	GB/T 91-2000	Pin 4×22	2	
57	12-1618	Bearing	2	
58	8-1618	Bearing	4	
59	JCPT0807-112007	Cuprum Washer	2	
60	JCPT0807-112002	Pin	2	
61	GB/T 70.3-2000	Screw M5×16	6	
62	AMWP116-100011	Cover	2	
63	GM354550	Bearing	4	
64	JCPT0807-112003	Cuprum Washer	2	
65	AMWP106-10009	Press Piece	2	
66	GB/T 62.2-2004	Nut M8	4	
67	AMWP106-10010	Bolt Hook	4	
68	GB/T 70.3-2000	Screw M8×16	8	
69	AMWP106-10031	Traction Ring	2	
70	AMWP106-10002	Traction Ring Installation Plate	2	
71	GB/T97.1-2002	Washer 10	4	
72	GB/T93-87	Spring Washer 10	4	
73	GB/T5783-2000	Bolt M10×35	4	
74	GB/T 70.3-2000	Screw M5×10	7	



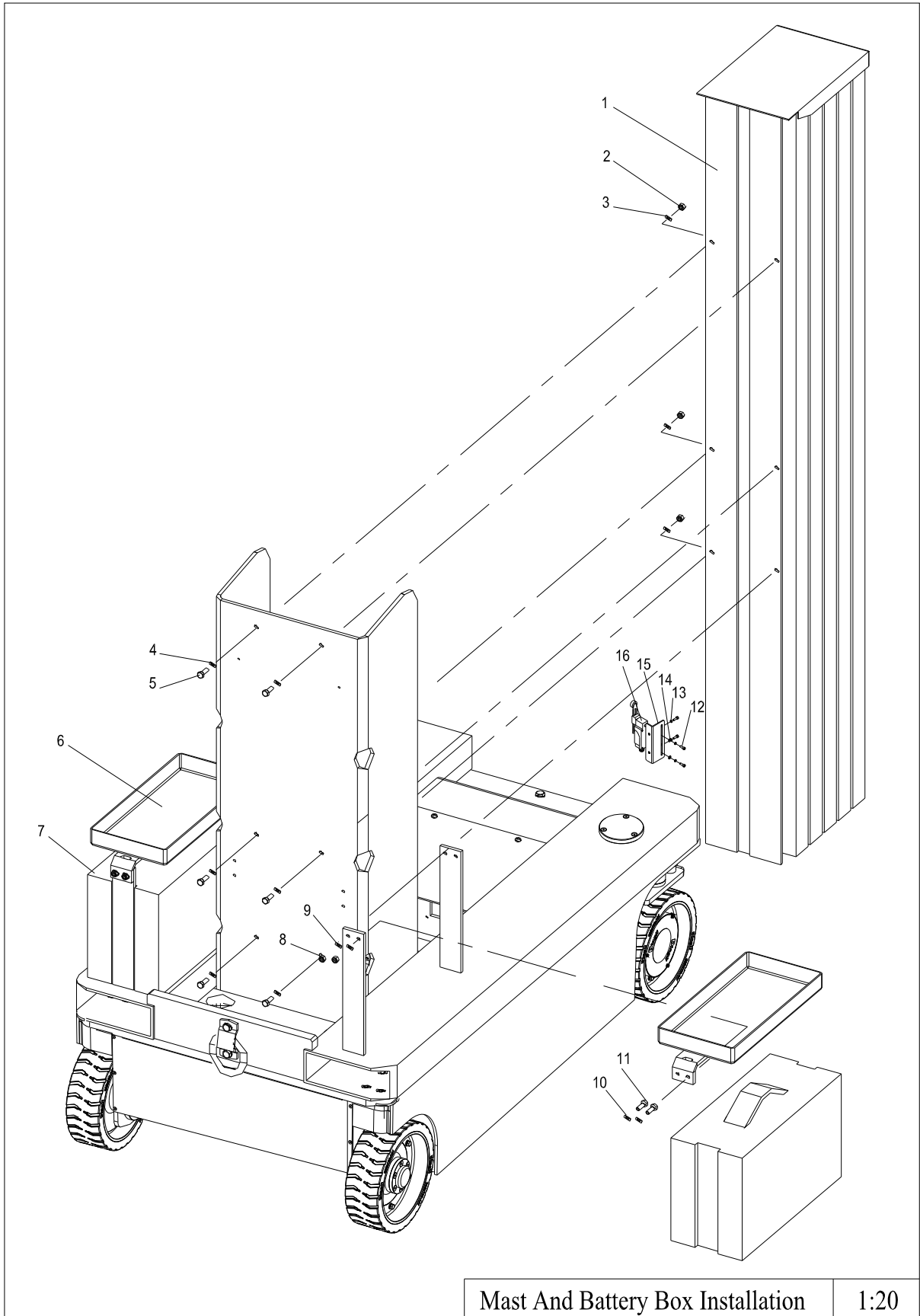
## Section 2 Cover Installation



## Spareparts For Cover Installation

No.	Part Number	Description	Quantity	Remark
1	GB/T818-2000	Screw M6×15	2	
2	GB/T97.1-2002	Washer 6	2	
3	AMWP116-000013	Cover	1	
4	GB/T97.1-2002	Washer 6	2	
5	GB/T818-2000	Screw M6×15	2	
6	GB/T818-2000	Screw M6×20	14	
7	GB/T97.1-2002	Washer 6	14	
8	AMWP116-00104	Cover, Ground Station Options	1	
9	AMWP106-00101	Cover, Left Options	1	
10	AMWP106-00101a	Cover, Right Options	1	

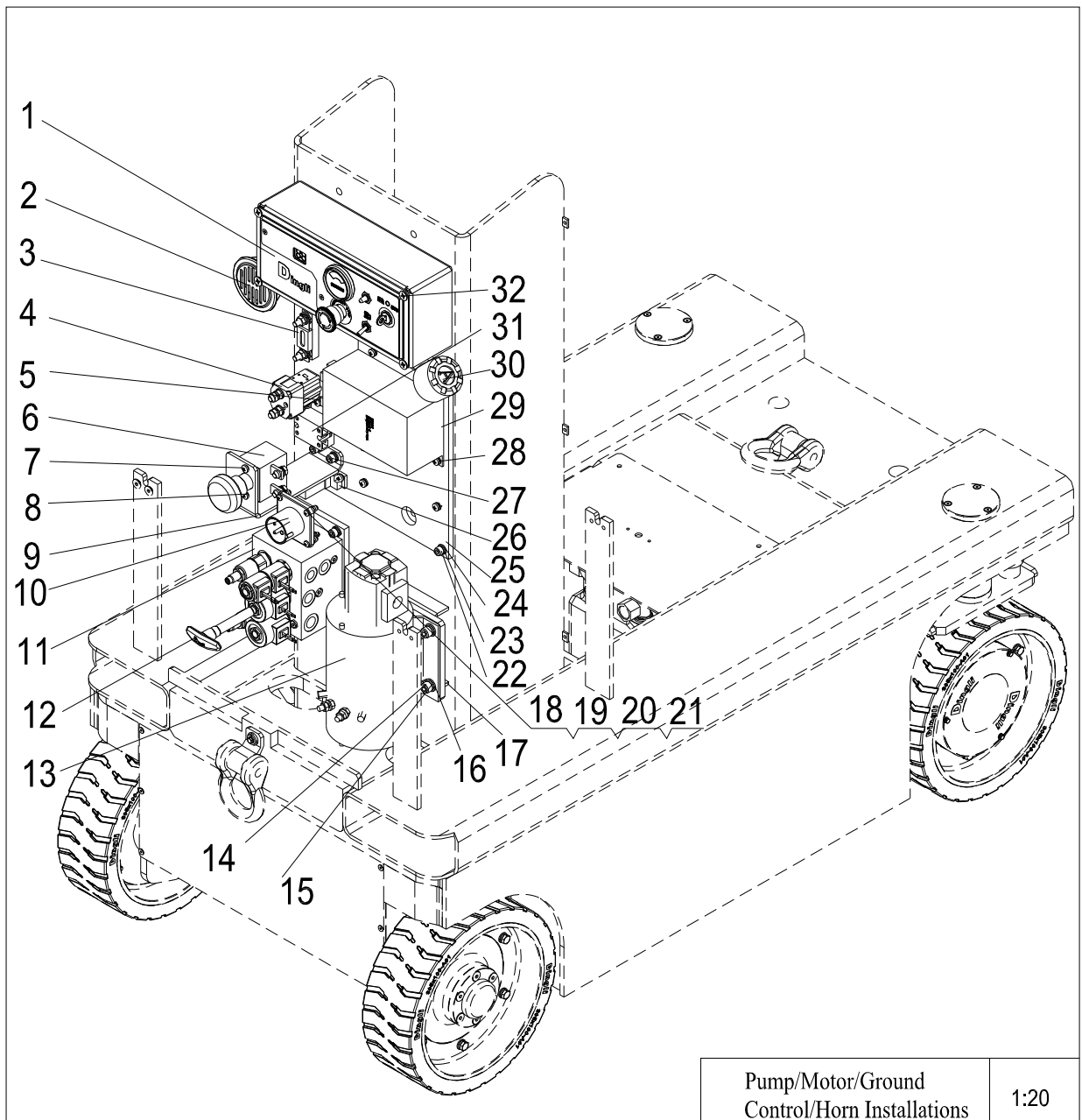
### Section 3 Mast And Battery Box Installation



## Spareparts For Mast And Battery Box Installation

No.	Part Number	Description	Quantity	Remark
1	AMWP106-32000	Mast Assembly	1	
2	GB/T41-2000	Nut M10	6	
3	GB/T97.1-2002	Washer 10	6	
4	GB/T97.1-2002	Washer 10	6	
5	GB/T5782-2000	Bolt M10×40	6	
6	AMWP106-10040	Box, Battery	2	
7	AMWP106-10011	Counterweight	2	
8	GB/T41-2000	Nut M8	8	
9	GB/T97.1-2002	Washer 8	8	
10	GB/T97.1-2002	Washer 8	8	
11	GB/T5782-2000	Bolt M8×35	8	
12	GB/T70.1-2000	Screw M4×12	4	
13	GB/T93-87	Spring Washer 4	4	
14	GB/T97.1-2002	Washer 4	4	
15	AMWP106-10004	Bracket	1	
16	AZ8104	Limit Switch	1	

## Section 4 Pump/Motor/Ground Control/Horn Installations



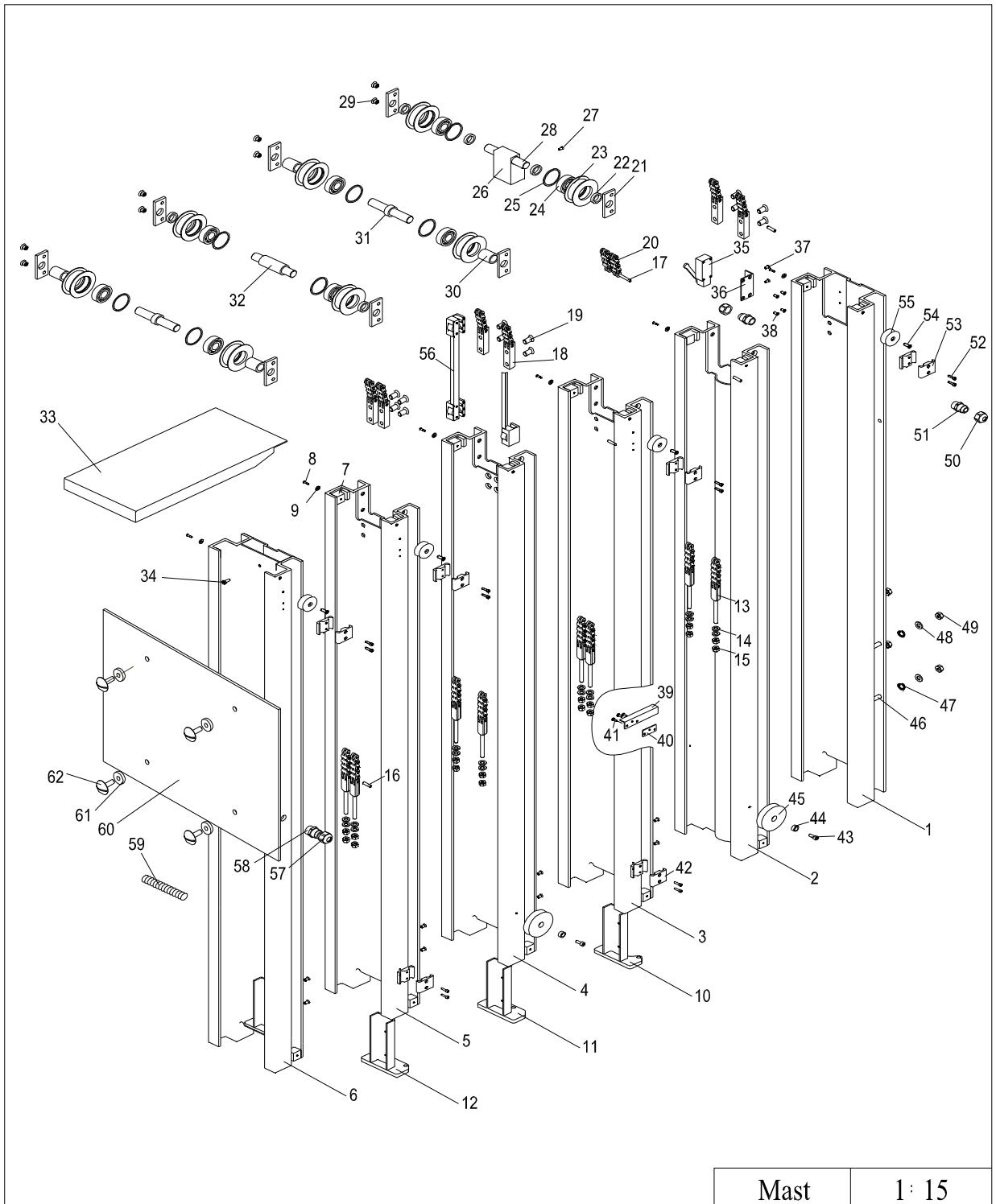
## Spareparts For Pump/Motor/Ground Control/Horn Installations

No.	Part Number	Description	Quantity	Remark
1	AMWP116-100100	Module, Ground Control Options	1	
2	12V	Horn	1	
3	FU	Fuse 100A	1	
4	KM	DC Contactor	1	
5	AMWP116-000403	DC Contactor Board	1	
6	ED250-G	Electrical Switch	4	
7	GB/T818-2000	Screw M6×16	18	
8	GB/T97.1-2002	Washer 6	18	
9	AMWP116-000402	Electrical Switch Board	1	
10	Y-013	Electrical Outlet	1	220V16A
11	DPH-0918-10	Valve Assembly	1	
12	JB/T7274.6	Emergency Button	1	
13	JCT0807-114300	DC Motor (Pump)	1	
14	GB/T70.1-2000	Screw M10×25	4	
15	GB/T93-87	Spring Washer 10	4	
16	GB/T97.1-2002	Washer 10	4	
17	AMWP116-11024	Motor Installation Plate	1	
18	GB/T818-2000	Screw M5×20	4	
19	GB/T93-87	Spring Washer 5	4	
20	GB/T97.1-2002	Washer 5	4	
21	GB/T6182-2000	Nut M5	4	
22	GB/T70.1-2000	Screw M8×25	8	
23	GB/T93-87	Spring Washer 8	10	
24	GB/T97.1-2002	Washer 8	10	
25	AMWP116-000401	Installation Plate	1	

## Spareparts For Pump/Motor/Ground Control/Horn Installations

No.	Part Number	Description	Quantity	Remark
26	896H-1AH-C1SM15	Relay	1	24VDC 20A
27	GB/T70.1-2000	Screw M8×16	2	
28	GB/T93-87	Spring Washer 6	19	
29	KCCA0040-E	Module, Motor Control	1	
30	DJB-24V	Reverse Horn	1	
31	G3NA-D210B	Solid State Relay	1	
32	GB/T 819.1-2000	Screw M8×25	4	

## Section 5 Mast





## Spareparts For Mast

No.	Part Number	Description	Quantity	Remark
1	AMWP106-32011	Mast 1#	1	
2	AMWP106-32012	Mast 2#	1	
3	AMWP106-32013	Mast 3#	1	
4	AMWP107-32011	Mast 4#	1	
5	AMWP107-32012	Mast 5#	1	
6	AMWP107-32013	Mast 6#	1	
7	GTWY8-54119	Slider	20	
8	GB/T846-1985	Screw ST3.5×16	20	
9	GB/T96.1-2002	Washer 6	20	
10	GTWY8-320600	Dragger	1	
11	GTWY8-320700	Dragger 2#	2	
12	GTWY8-320800	Dragger 3#	1	
13	GTWY8-320015	Lower Dual Chain Seat	8	
14	GB/T95-2002	Washer 8	16	
15	GB/T 6170-2000	Nut M8	16	
16	GTWY8-110311	Pin	14	
17	GTWY8-320020	Pin	1	
18	GTWY8-320014	Upper Dual Chain Seat	6	
19	GB/T819.1-2000	Screw M10×20	12	
20	GB/T6074-1985	Chain LH0844X141	8	
21	GTWY8-320201	Plate	8	
22	GTWY8-320302	Spacer 4	6	
23	GTWY8-320203	Dual Chain Wheel	6	
24	GB/T276-1994	Bearing 6204	8	
25	GB/T893.1-1986	Circlip 47	8	

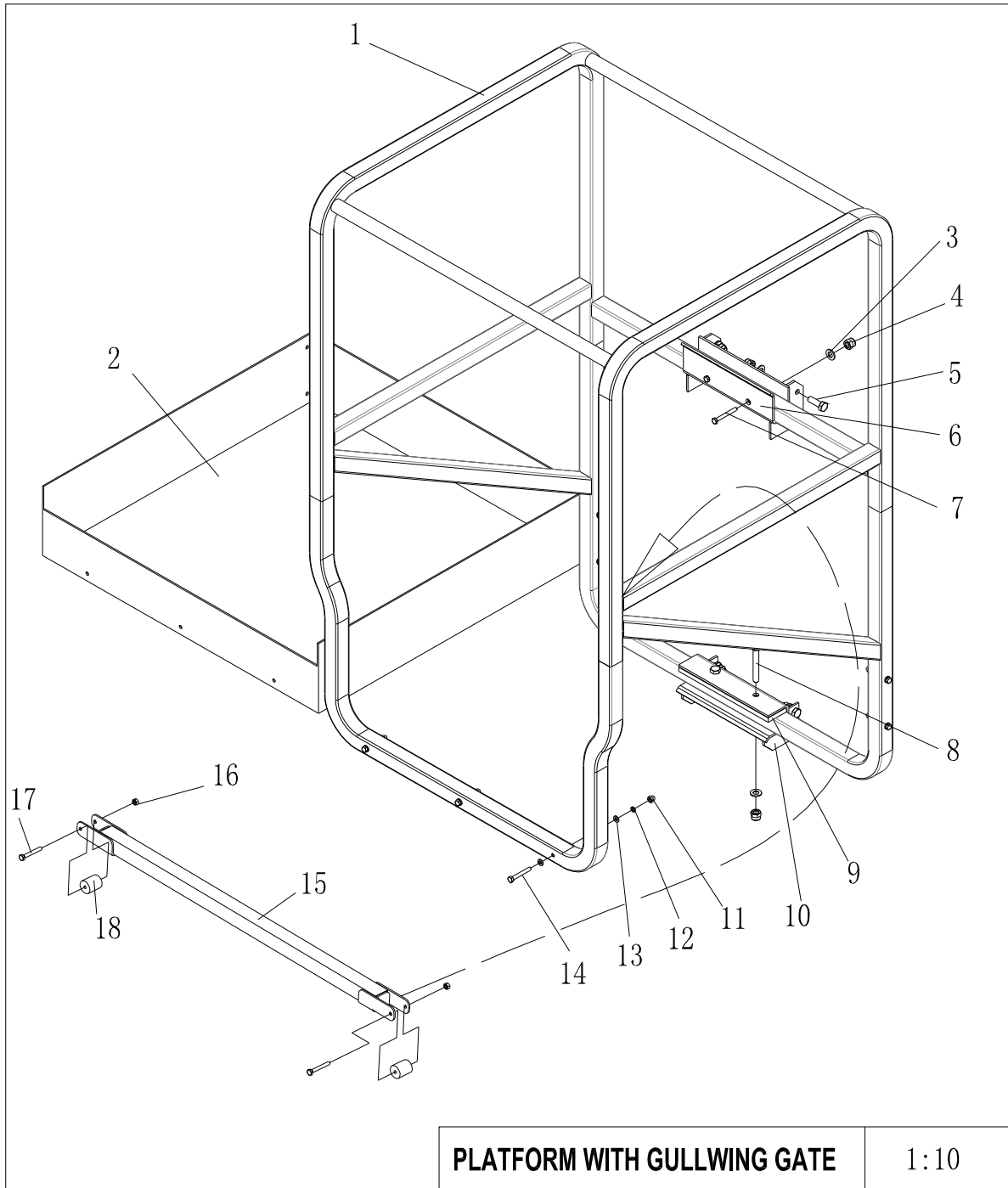
## Spareparts For Mast

No.	Part Number	Description	Quantity	Remark
26	GTWY8-320401	Chain Seat	1	
27	GB/T5780-2000	Bolt M6×15	1	
28	GTWY8-320202	Shaft	4	
29	GB/T819.1-2000	Screw M10×10	16	
30	GTWY8-320205	Spacer 2	4	
31	GTWY8-320204	Spacer 1	2	
32	GTWY8-320301	Spacer 3	1	
33	GTWY8-54400	Cover	1	
34	GB/T5783-2000	Bolt M6×10	1	
35	AMWP6-12109	Switch	1	
36	GTWY8-54117	Plate	1	
37	GB/T5783-2000	Bolt M5×10	2	
38	GB/T819.1-2000	Screw M5×16	4	
39	GTWY8-54111	Plate	1	
40	GTWY8-54112	Rubber Pad	1	
41	GB/T818-2000	Screw M4×10	3	
42	GTWY8-320019	Single Clip	4	
43	GTWY8-320007	Bolt	2	
44	GB/T276-1994	Bearing 6200	2	
45	GTWY8-320008	Pulley	2	
46	GB/T5783-2000	Bolt M10×40	6	
47	GB/T93-87	Spring Washer 10	6	
48	GB/T95-2002	Washer 10	6	
49	GB/T 6170-2000	Nut M10	6	
50	GTWY8-320024	Nut M20×1.5	2	



## Section 6 Platform With Gullwing Gate

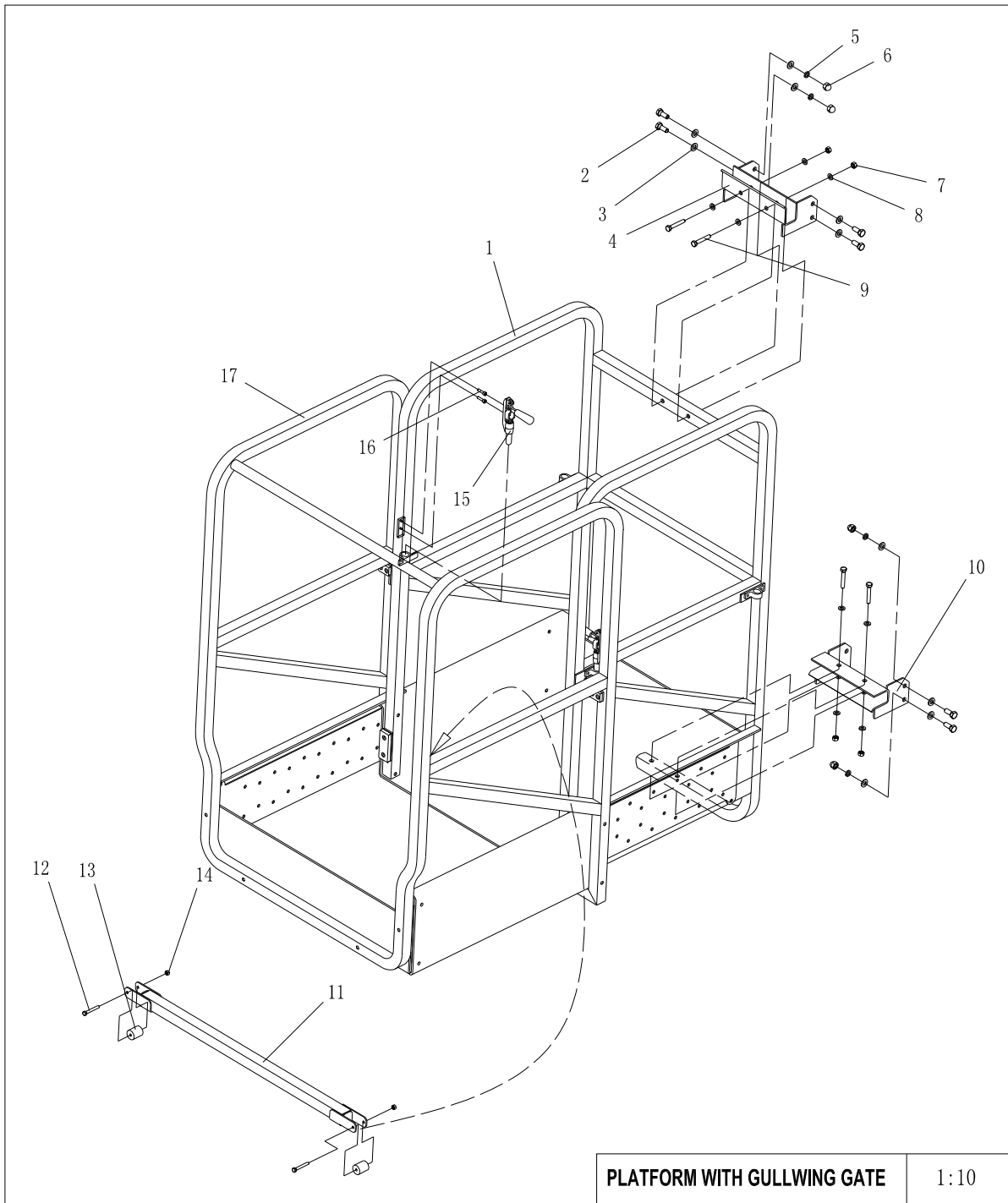
### 1. General Platform



## Spareparts For Platform With Gullwing Gate

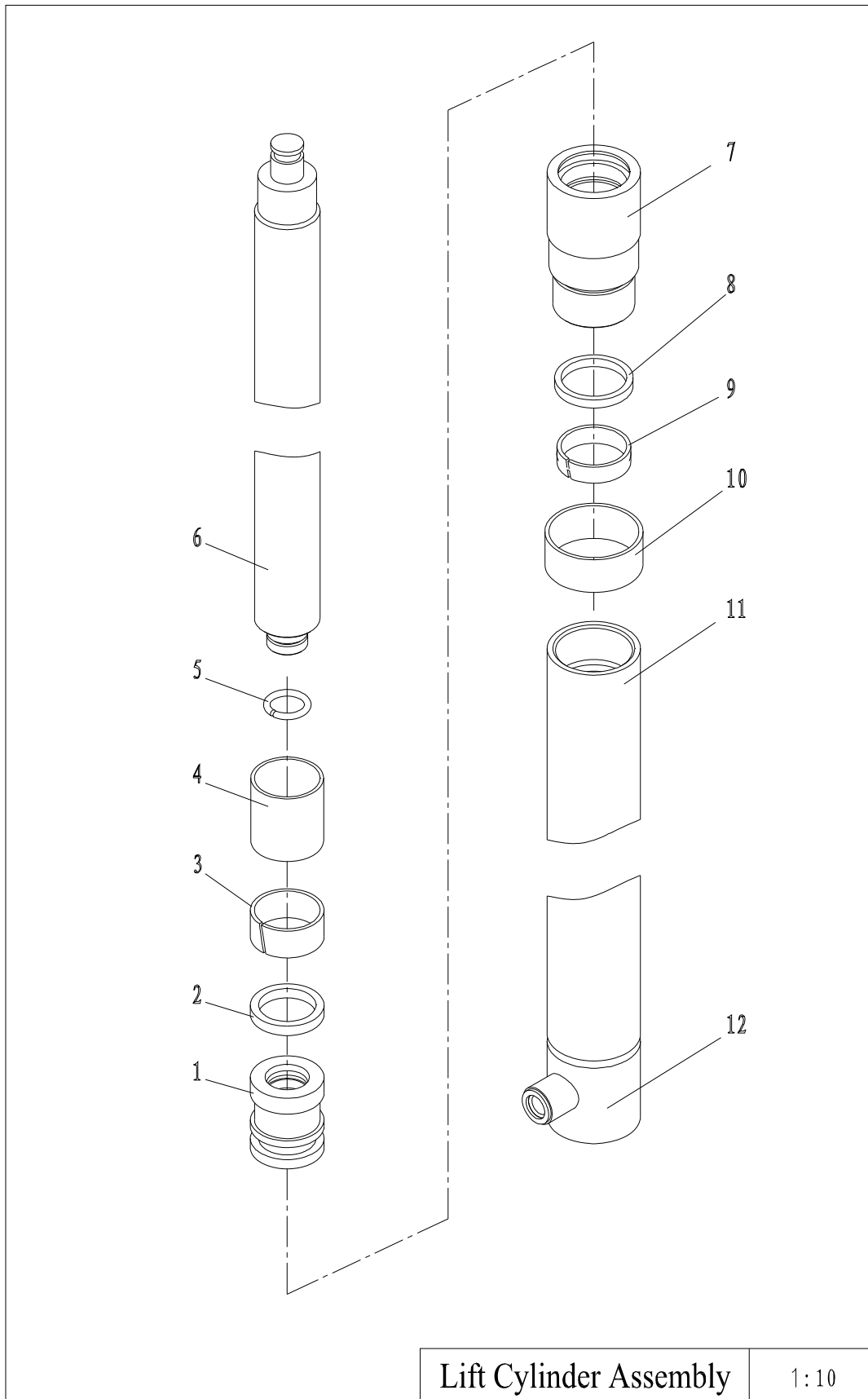
No.	Part Number	Description	Quantity	Remark
1	AMWP106-44100	Guardrail	1	
2	AMWP106-44001	Platform	1	
3	GB/T97.1-2002	Washer 10	12	
4	GB/T6182-2000	Nut M10	12	
5	GB/T5782-2000	Bolt M10×30	8	
6	AMWP106-44030	Upper Platform Mount	1	
7	GB/T5783-2000	Bolt M6×50	2	
8	GB/T5782-2000	Bolt M10×70	2	
9	AMWP106-44002	Washer	1	
10	AMWP106-44040	Lower Platform Mount	1	
11	GB/T 923-1988	Nut M6	7	
12	GB/T93-87	Spring Washer 6	7	
13	GB/T97.1-2002	Washer 6	14	
14	GB/T5782-2000	Bolt M6×35	7	
15	AMWP106-44220	Slide Bar	1	
16	GB/T 6170-2000	Nut M6	2	
17	GB/T5783-2000	Bolt M6×45	2	
18	AMWP106-44201	Roller	2	

## 2. Extend Platform





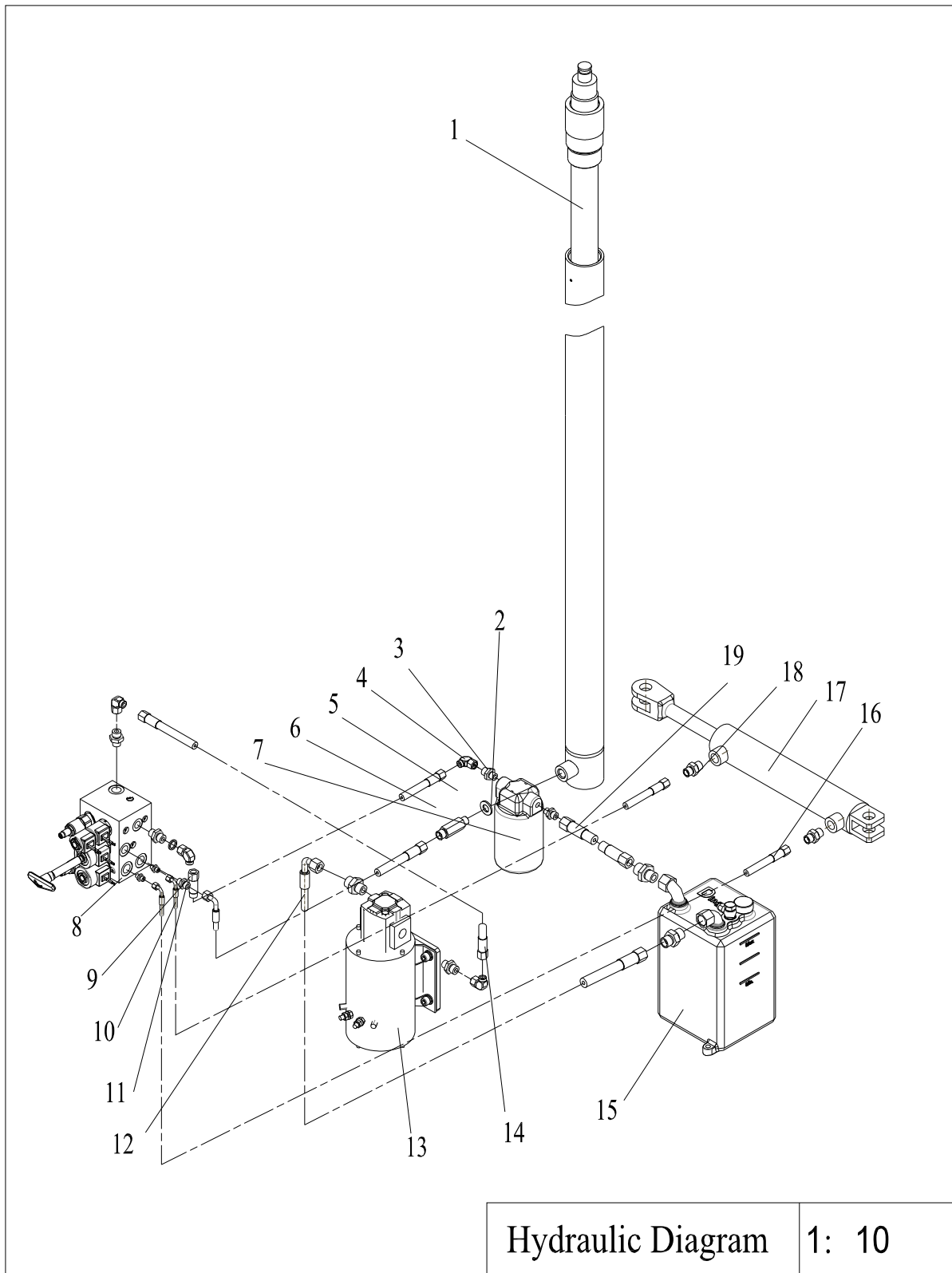
## Section 7 Cylinder Assembly







## Section 8 Hydraulic Diagram



## Spareparts For Hydraulic Diagram

No.	Part Number	Description	Quantity	Remark
1	AMWP106-32300	Cylinder Assembly	1	
2	JB982-77	Joint Washer 18	1	
3	AMWP106-540001	Connector M22×1.5	8	
4	AMWP106-540002	Right-Angle Connector 16	4	
5	AMWP106-540003	Connector	1	
6	GB/T 3683-2006	Tube $\phi 16 \times 680$	1	
7	SP-06X10(G3/4)	Filter	1	
8	DPH-0918-10	Valve Assembly	1	
9	GB/T 3683-2006	Tube $\phi 22 \times 860$	1	
10	GB/T 3683-2006	Tube $\phi 14 \times 1500$	1	
11	AMWP106-540004	Connector M16×1.5	1	
12	GB/T 3683-2006	Tube $\phi 22 \times 1360$	1	
13	JCT0807-114300	DC Motor (Pump)	1	
14	GB/T 3683-2006	Tube $\phi 22 \times 370$	1	
15	JCPT0807-114210	Oil Box	1	
16	GB/T 3683-2006	Tube $\phi 14 \times 1300$	1	
17	JCPT0807-112300	Steering Cylinder	1	
18	AMWP106-540005	Connector M14×1.5	4	
19	GB/T 3683-2006	Tube $\phi 22 \times 500$	1	



Zhejiang Dingli Machinery Co., Ltd

Address: No. 1255 Baiyun South Road, Leidian Town, Deqing, Zhejiang China

Tel: 0086-572-8681688 0086-572-8681689

Fax: 0086-572-8681690

E-mail: [dingli@dingli.zjip.com](mailto:dingli@dingli.zjip.com) [market@chinadinli.com](mailto:market@chinadinli.com)

[Http://www.chinadinli.com](http://www.chinadinli.com)